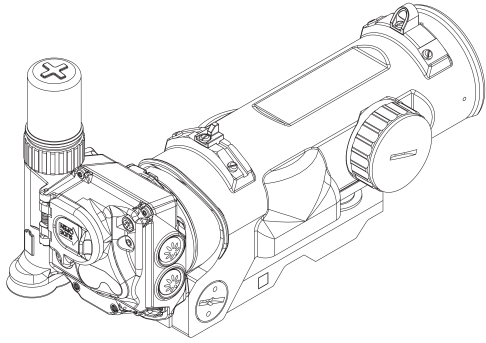
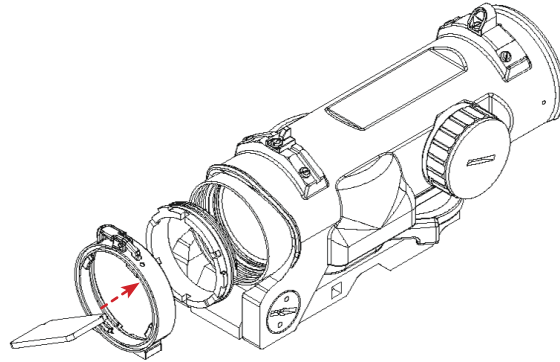


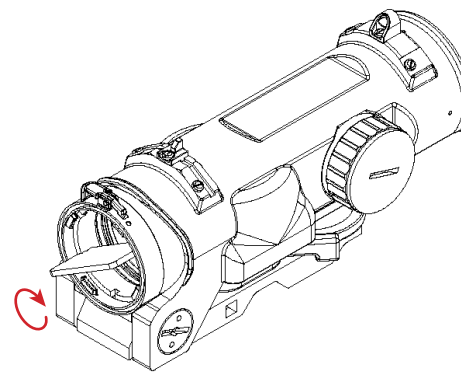
Mounting instructions for TILO™ adapter on ELCAN Specter DR 1-4x



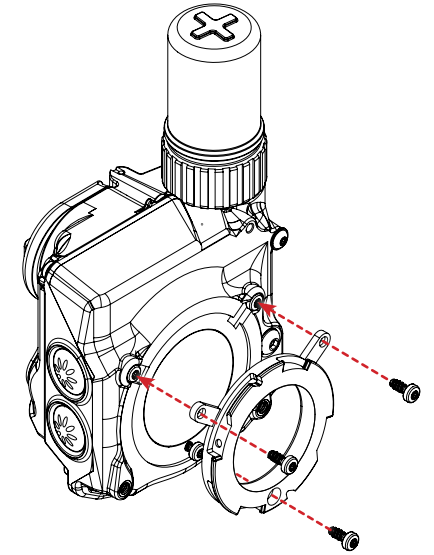
Compatible with all TILO versions.



1) Place the inner adapter ring on the ELCAN thread. Insert the outer adapter ring according to the existing recesses.



2) Using the tool supplied, screw the inner adapter ring clockwise onto the ELCAN thread using the recesses. Reposition the tool after each step (approx. 7x).

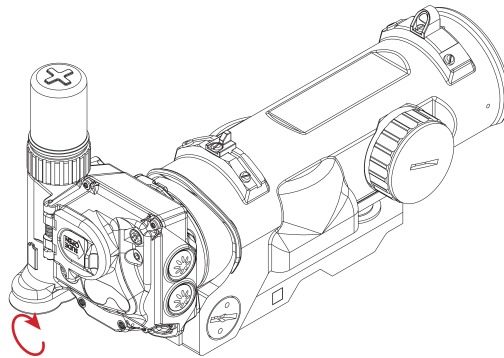


3) Screw bayonet adapter to your TILO, if not already mounted. On Z-series devices, this replaces the standard eyecup holder.

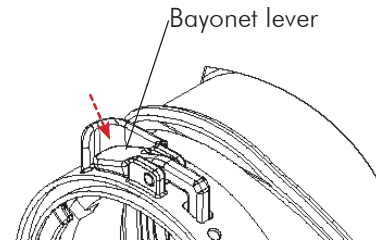


Andres Industries AG
Weißenseer Weg 37
13055 Berlin
Germany

Service & Support
Tel.: +49 (0) 30 45 80 39 00
E-Mail: info@andres-industries.de
Web: www.andres-industries.de



4) Place the TILO upside down on the ELCAN adapter and lock it in place by turning it clockwise. The TILO locks into place, your ELCAN mount is now ready for use.



5) To release the TILO again, press the bayonet lever down and turn the TILO counterclockwise.