

Quick start guide TigIR™



Switch on:

1. lift the flap and fold it back
2. device starts automatically (uptime approx. 4s)

Switch off:

1. close flap
2. device switches off automatically (downtime approx. 4s)

Note: If the power/video accesses are not used, they must always be sealed watertight with the cap provided for this purpose.



Andres Industries AG

Service & Support

Tel.: +49 30 4580 3900

E-Mail: info@andres-industries.de

Web: www.andres-industries.de



For TigIR™ from firmware 0.0.07
Version of 2021/07/02

Operation

Battery compartment/screw

Button 2

Press and hold: change filter
Press momentarily: change zoom
The zoom levels are:
0.7x/0.8x (better overview)*, 1x,
2x, 4x, 6x

* depending on configuration

Button 1

Press momentarily:
Display brightness, alternating
Press and hold:
Manual calibration
Press and hold for 7 sec.:
Video mode (PAL/NTSC) off

Filter



Cold Red

- cold is displayed in red
- heat sources black
- less glare in the night operation



Rainbow

- heat flow over the spectral colors
- from cold to warm: black, blue, green, yellow, red, white
- good temperature difference



Red Hot

- heat sources are shown in red
- less glare in the night operation



Glowbow

- heat sources yellow, the rest remains red
- humans and animals are highlighted



Black Hot

- heat sources are shown in dark
- picture is more natural
- easier orientation



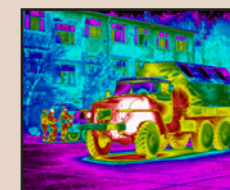
White Hot

- heat sources bright
- contrast increase
- humans and animals can be easily identified



Ironbow

- heat flow over white, yellow, orange, violet and blue
- heat sources highlighted by contrast



Rainbow HC

- heat flow is determined by purple
- stronger contrasts temperatures



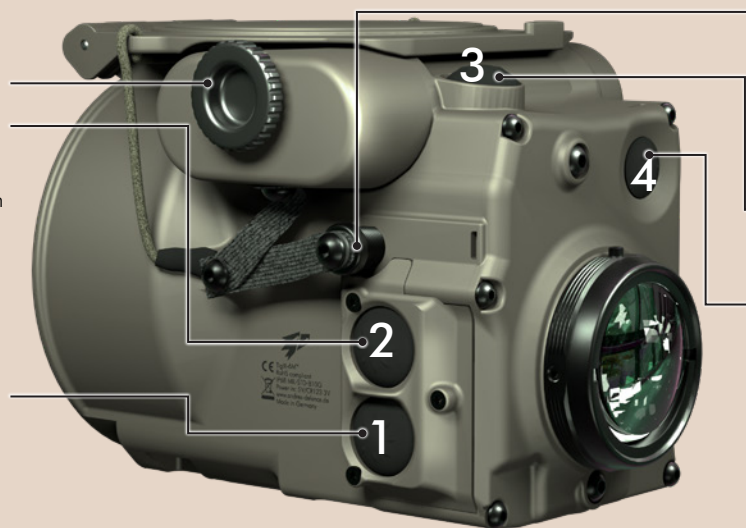
Cold Green

- cold is displayed in green
- reduces the risk of reconnaissance by light amplifiers



Hottest

- heat sources like humans and animals are highlighted orange, the rest remains black and white



Device connector for external power supply and video output

Note: If the power/video access of the device connector is not used, it must always be closed waterproof with the cap provided.

Button 3

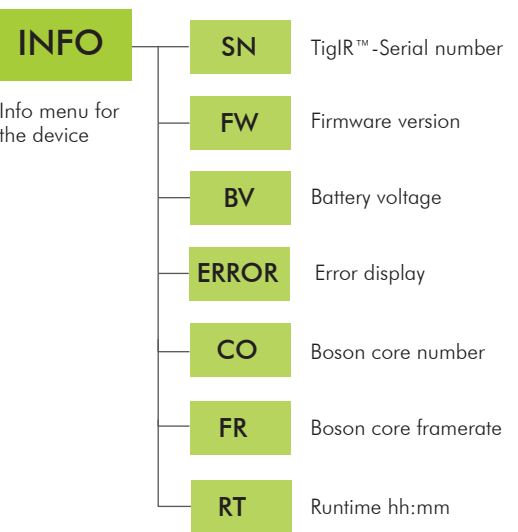
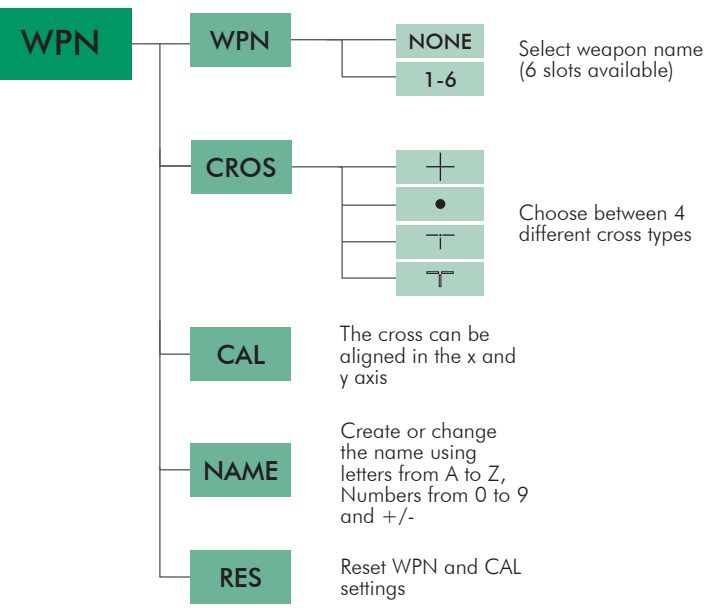
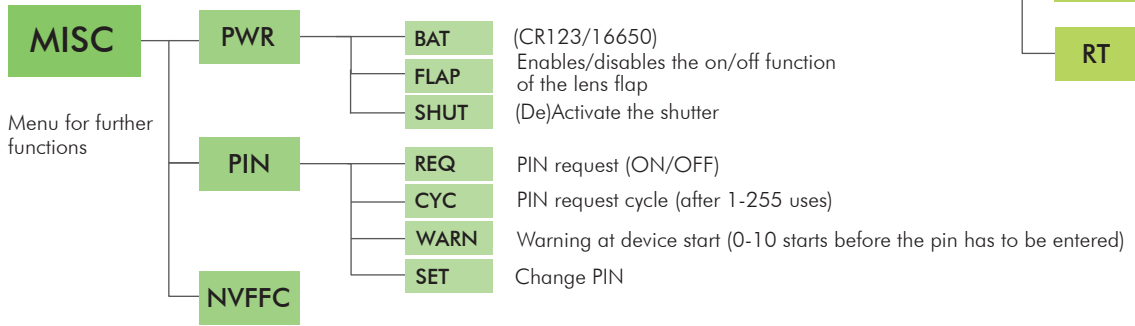
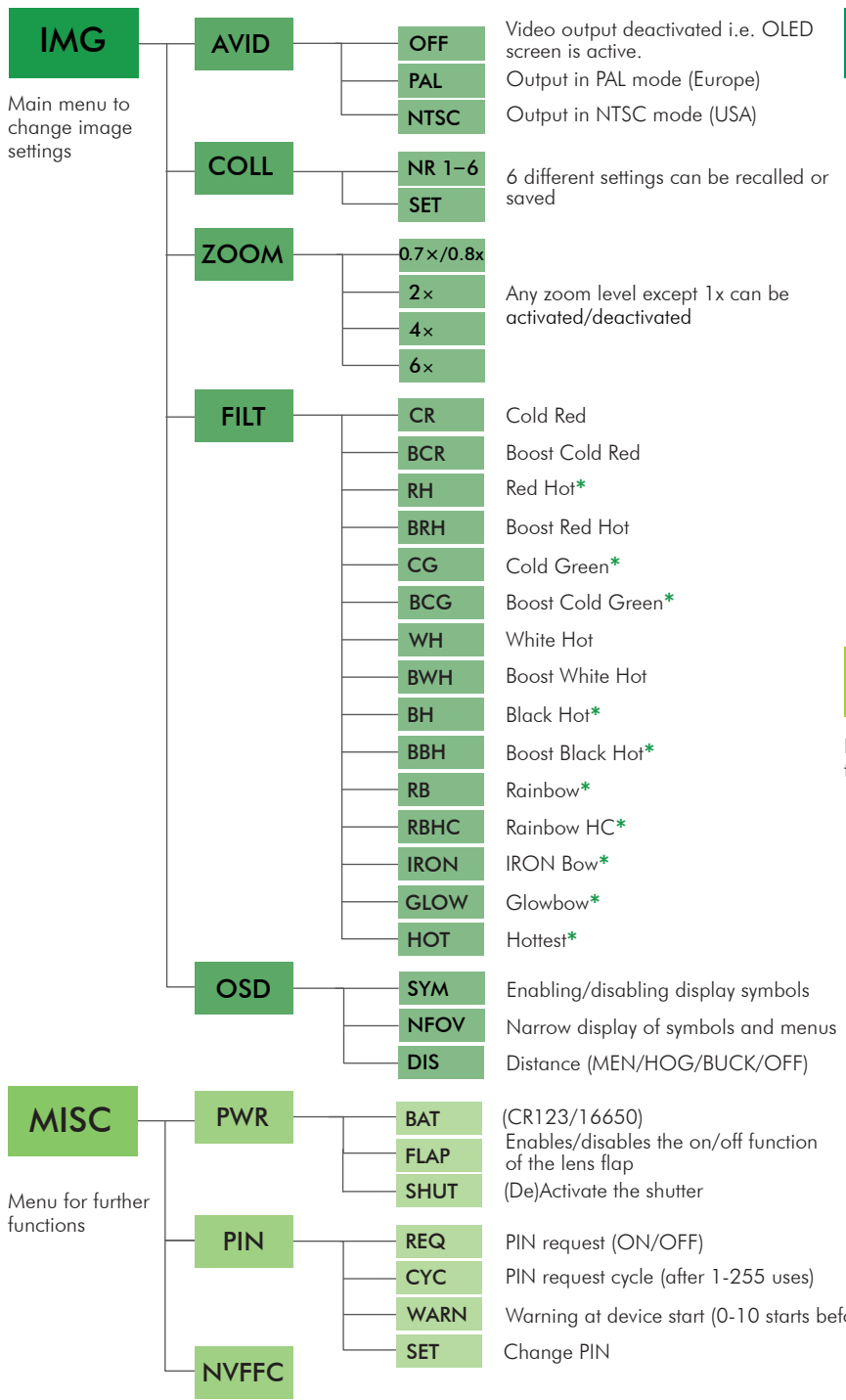
Press and hold: Back/Cancel

Button 4

Press and hold (e.g. w/o flap):
On/Off (uptime/downtime approx. 4s)

Button 1 & 3

Press and hold both buttons:
Start menu



AVID: Select the video output format for using the external connection output. Note: With activated video output, the OLED display is disabled.

COLL: Set the collimation here. The settings can be saved for 6 persons. You can collimate each zoom level individually with the four buttons. To change the zoom level, press and hold button 2. At the end, press and hold button 4 to save (further information on collimation see manual).

FILT: Deactivate all filters that you do not need during operations. The RH and CR filters are particularly useful at night (further information see manual).

SYM: Deactivation of the symbol display, e.g. in order to avoid affecting a video recording.

NFOV: Places the symbols in the middle of the screen. This is helpful if you want to use a scope.

BAT: When using a 16650 battery, it should also be selected in the BAT menu.

FLAP: Flap function off. This function can be deactivated to prevent the TigIR from switching itself on by accidentally opening the lens cover in the pocket. Nevertheless, it switches off automatically when the flap is closed.

REQ: Switches PIN query on or off for TigIR start.

CYC: Frequency after how many device starts the PIN is requested.

WARN: Number of device starts between pre-warning and PIN request (at device start).

NVFFC: Hereby the last manual calibration can be saved in order to obtain the optimum quality after switching on the device. It is recommended to perform this procedure every 1-2 weeks, as the sensor changes over time. However, the sensor will not be damaged if the NVFFC is not used permanently.



- Key control menu**
- 1 + 3 long (start menu)
 - 1 short (down)
 - 1 long (deeper)
 - 2 short (up)
 - 3 long (leave menu)
 - 4 long (save)

*Are not activated in the delivery state and can be activated in the user menu.